

EXISTING

600VDC  
NON-  
FUSIBLE.  
POS AND  
NEG  
SWITCHED

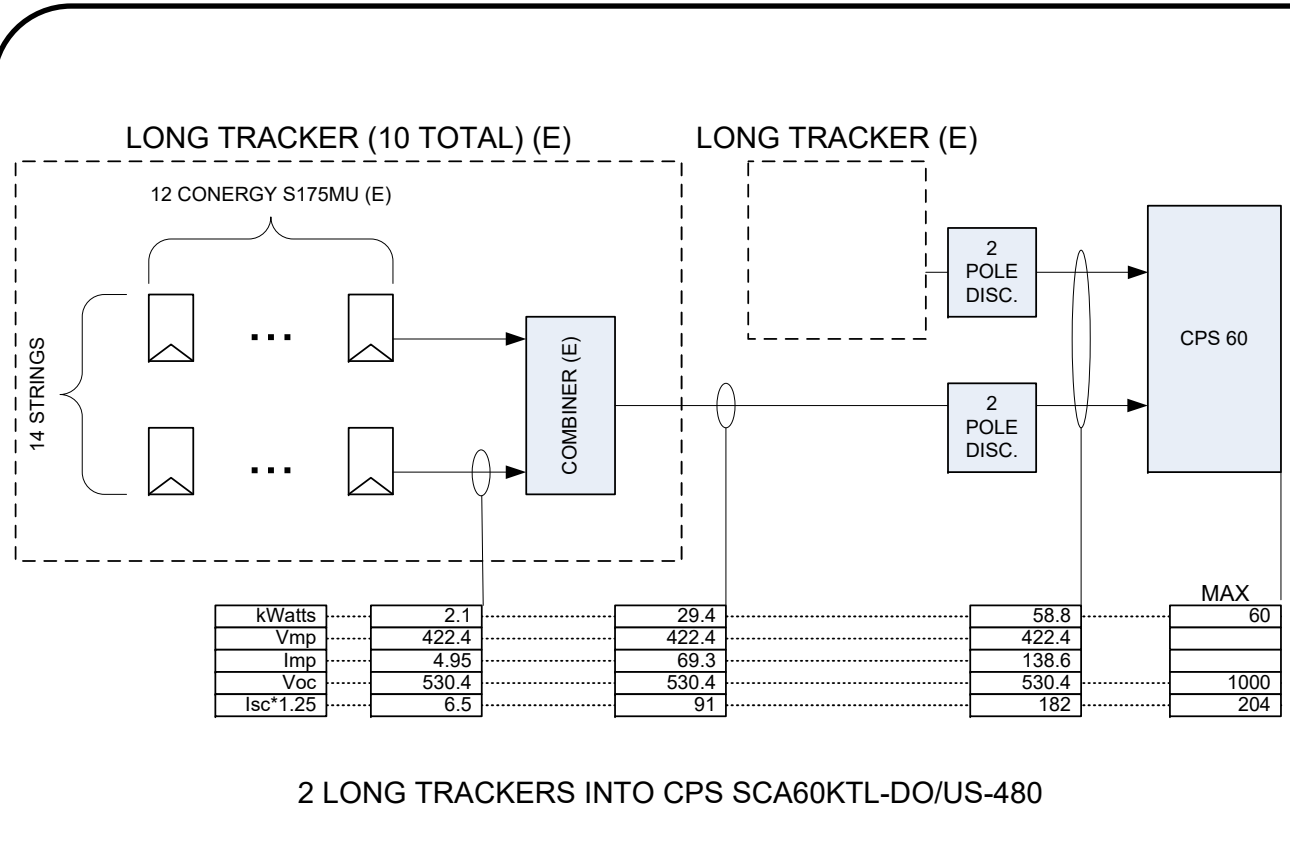
SUB-PANEL

XANTREX GT250 (E)

400X3  
MAIN AC  
COMBINER  
(E)

PLANT

<b>Legacy Repower</b>	Paso Robles, CA	
<b>SYSTEM OVERALL</b>		
TITLE	Subject	
Design/Build Firm:		
<b>Miller Solar</b> 17395 Oak Rd. Atascadero, CA 93422 805/438/5600 millersolar.com william@millersolar.com William Miller, Principal		
Revisions		
#	Date	Note
SCALE		As Noted
DRAWN BY		WILLIAM
DATE		6/1/14
PAGE		<b>1 of 3</b>

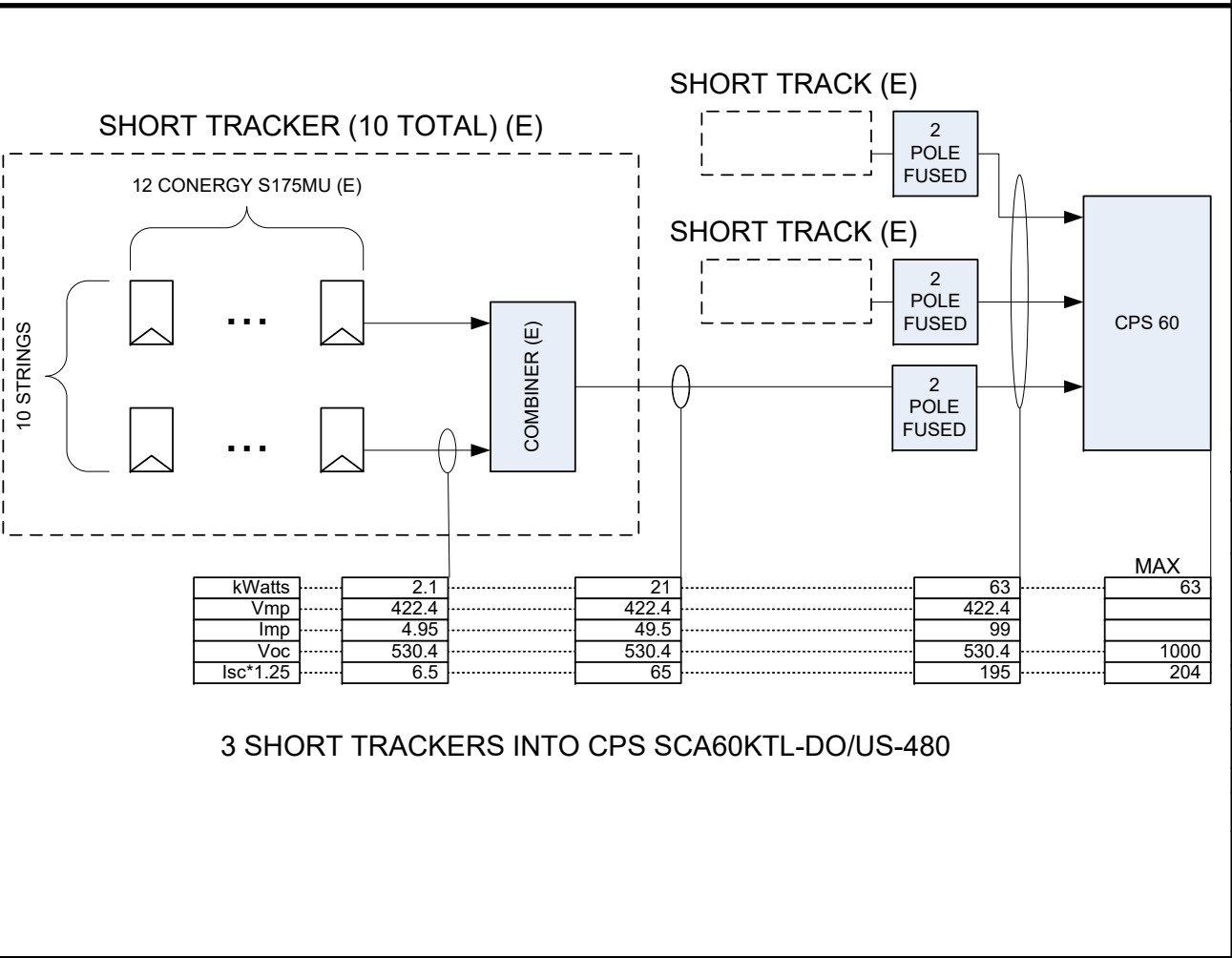
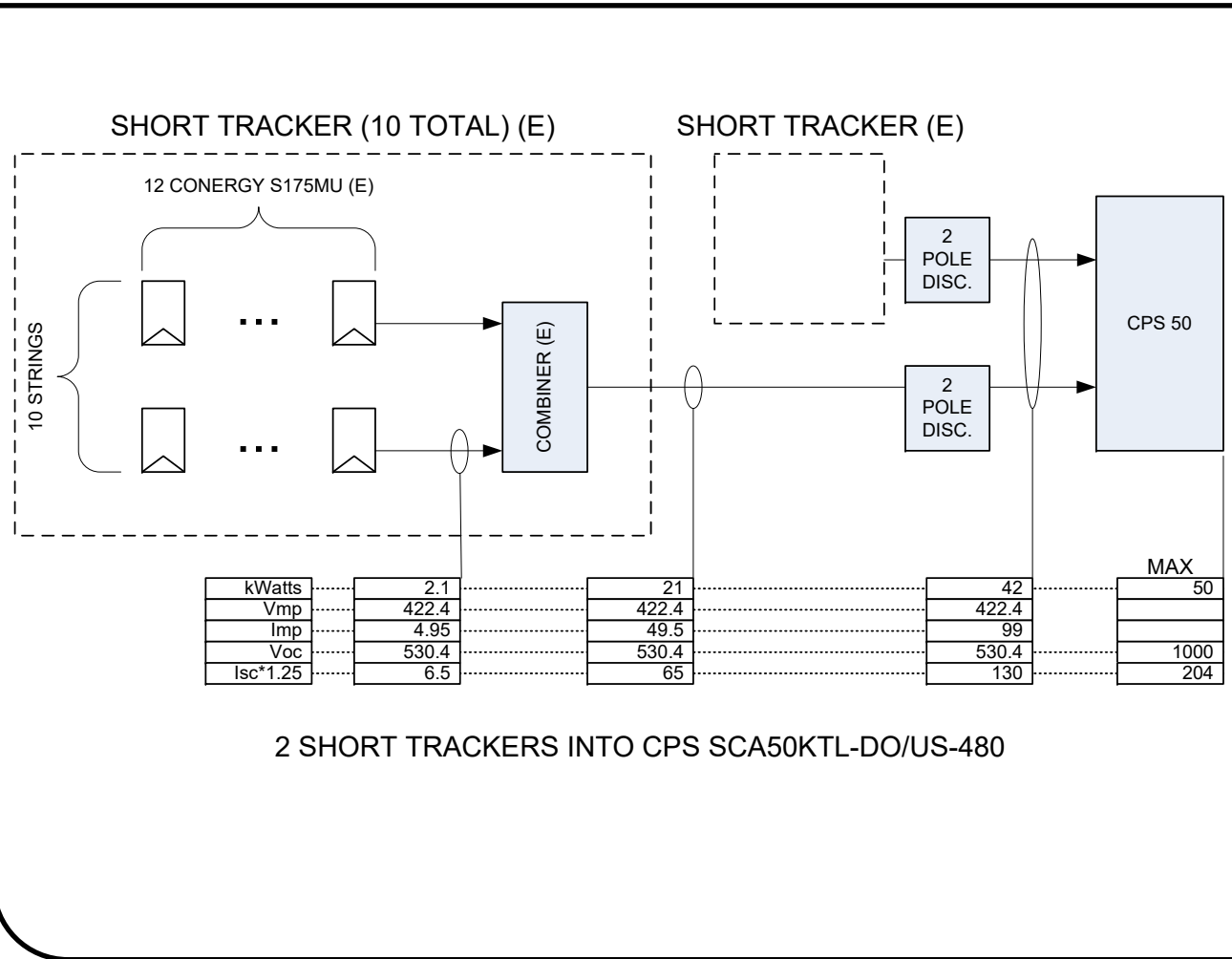


### NOTES

- PART OF PLAN FOR RETROFITTING LEGACY 600 VDC UTILITY SCALE GRID-TIED PV SYSTEM.
- EXISTING EQUIPMENT MARKED (E).
- DIAGRAMS MODEL VARIOUS STRING CONFIGURATIONS THROUGH EXISTING COMBINERS TO NEW INVERTERS. DIAGRAMS DO NOT SHOW FULL EXTENT OF SYSTEM.
- INVERTERS OPERATING IN MPPT BRIDGE MODE.
- PV DATA BELOW.

CONERGY S 175 MU

Per Panel			
Maximum Power	Pmax	175	Watts
Power Tolerance		-2/3%	
Maximum Power Voltage	Vmpp	35.2	VDC
Maximum Power Current	Imp	4.95	ADC
Open Circuit Voltage	Voc	44.2	VDC
Short Circuit Current	Isc	5.2	ADC
Maximum Series Fuse Rating		15	ADC
Maximum System Voltage		600	VDC
Fire Class		C	



Legacy Repower

INPUT CONFIGURATIONS

Paso Robles, CA

---

TITLE

Subject

---

Design/Build Firm:

**Miller Solar**

17395 Oak Rd.  
Atascadero, CA 93422  
805/438/5600  
millersolar.com  
william@millersolar.com  
William Miller, Principal

---

Revisions

#	Date	Note

---

SCALE

As Noted

---

DRAWN BY

WILLIAM

---

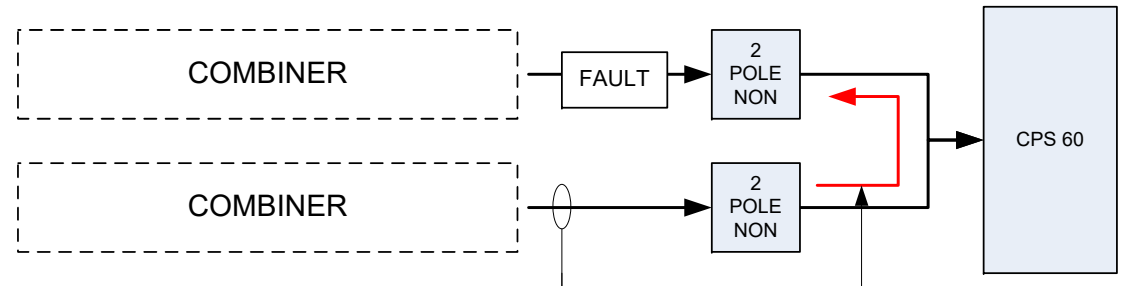
DATE

6/1/14

---

PAGE

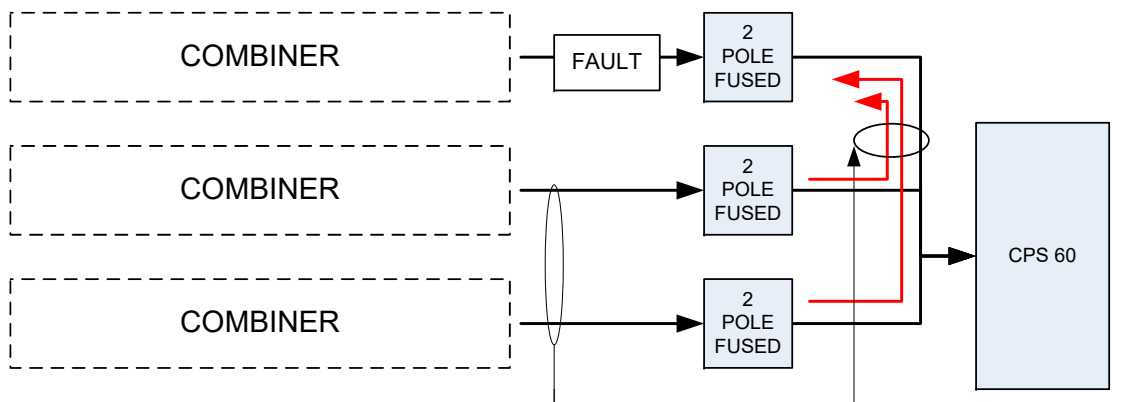
2 of 3



kWatts	29.4
Vmp	422.4
Imp	69.3
Voc	530.4
Isc*1.25	91

FAULT CURRENT LESS THAN WIRE/FUSE RATING

TWO COMBINERS INTO ONE INVERTER



kWatts	58.8
Vmp	422.4
Imp	138.6
Voc	530.4
Isc*1.25	182

FAULT CURRENT GREATER THAN WIRE/FUSE RATING

THREE COMBINERS INTO ONE INVERTER

# Legacy Repower

Paso Robles, CA

DISCONNECT FUSING STUDY

TITLE

Subject

Design/Build Firm:

**Miller Solar**  
 17395 Oak Rd.  
 Atascadero, CA 93422  
 805/438/5600  
 millersolar.com  
 william@millersolar.com  
 William Miller, Principal

Revisions

#	Date	Note

SCALE

As Noted

DRAWN BY

WILLIAM

DATE

6/1/14

PAGE

3 of 3